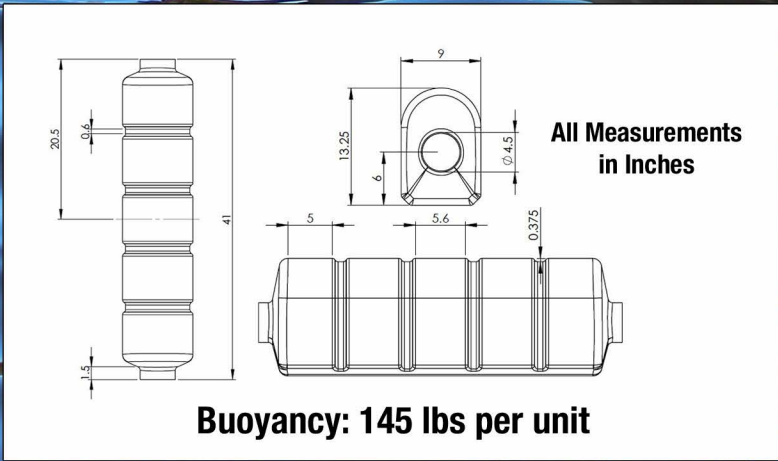
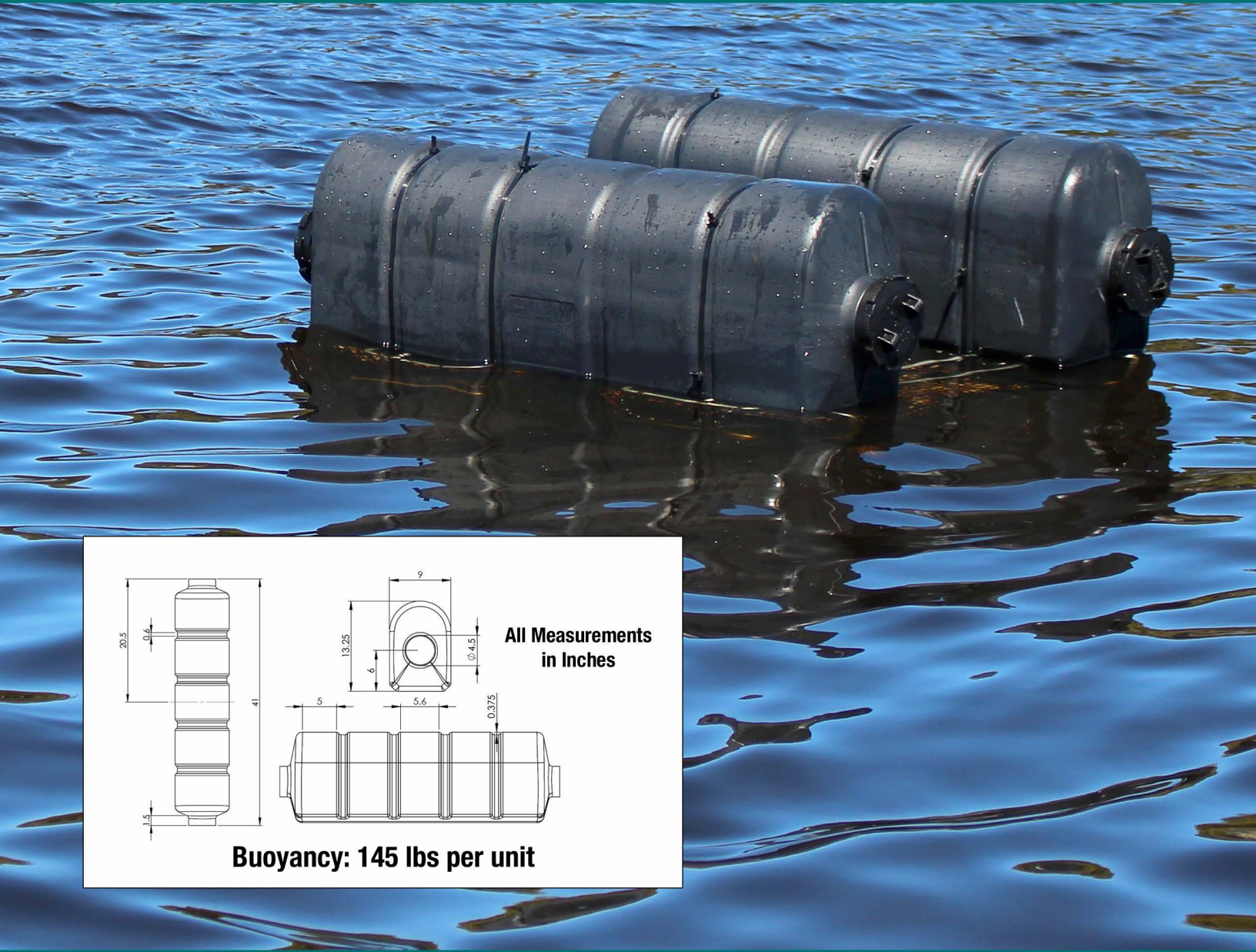




Go Deep
International Inc.

ECO-AQUA™ FOUR BAG OYSTER CAGE FLOAT



Buoyancy: 145 lbs per unit



**MADE IN
NORTH AMERICA**

ORDER BY CALLING: 1 (877) 446-3337 (NORTH AMERICA)

01 (506) 633-7850 (INTERNATIONAL)

WWW.GODEEPAQUACULTURE.COM



Go Deep
International Inc.

ECO-AQUA™ FOUR BAG OYSTER FLOAT



Features:

UV Stabilized Virgin Plastic
Built to Growers' Specifications
Robust Design
Secure Buoyancy
Quality Assurance Manufactured

Benefits:

For Four-Bag Floating Oyster Cages
Dual Capped Ends
Increased Productivity
Superior Puncture Resistance
Less Visual Pollution



Eco-Aqua™ 66-2C oyster cage floats easily attach to both wire mesh and aluminum oyster cages. Designed for a four bag system, these robust dual capped floats provide secure buoyancy.



Four bag cage systems provide an ease-of-use that most other large systems cannot. The size and orientation of the floats allows a single farmer to manipulate the system on their own, in a small vessel and without assistance.



Eco-Aqua™ 66-2C cage floats are manufactured from UV stabilized 100% virgin plastic. These floats are grey in color to avoid expansion in the sun and to reduce visual pollution on the water. The dual caps aid in sinking while the wide opening intakes and expels water quickly and easily.



Ask us about our Made in North America oyster bags!

MADE IN NORTH AMERICA

ORDER BY CALLING: 1 (877) 446-3337 (NORTH AMERICA)

01 (506) 633-7850 (INTERNATIONAL)

WWW.GODEEPAQUACULTURE.COM